

METALLIC CABLE GLANDS

Single seal



A large range of single seal cable glands

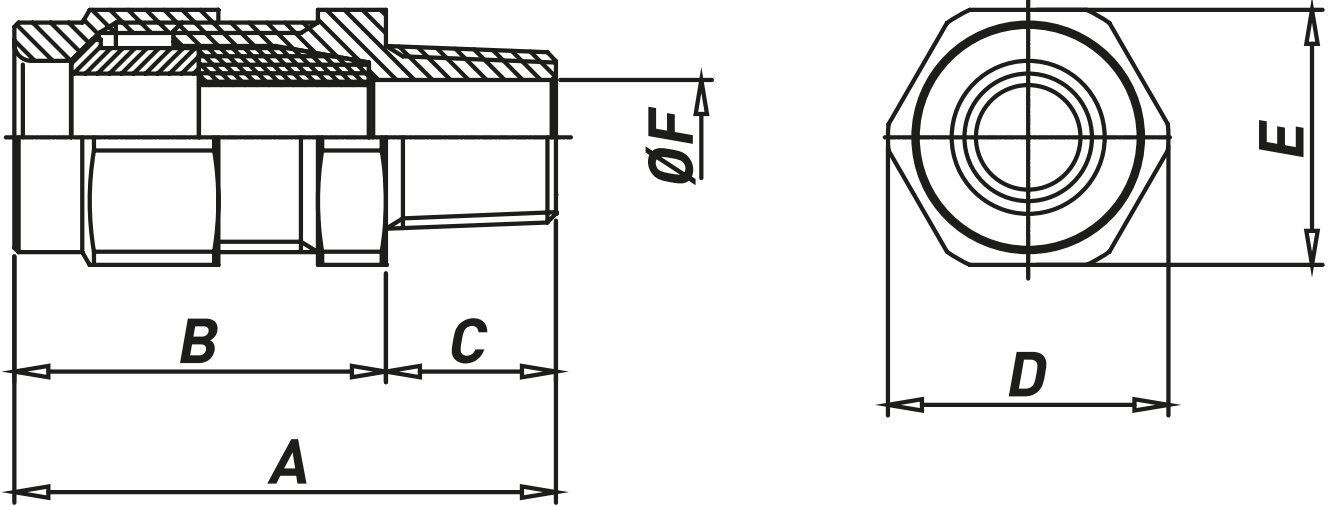
- Armoured & unarmoured cable
- Lead sheathed cable
- Barrier type

Suitable for Zone 1/2 and Zone 21/22.

TECHNICAL FEATURES

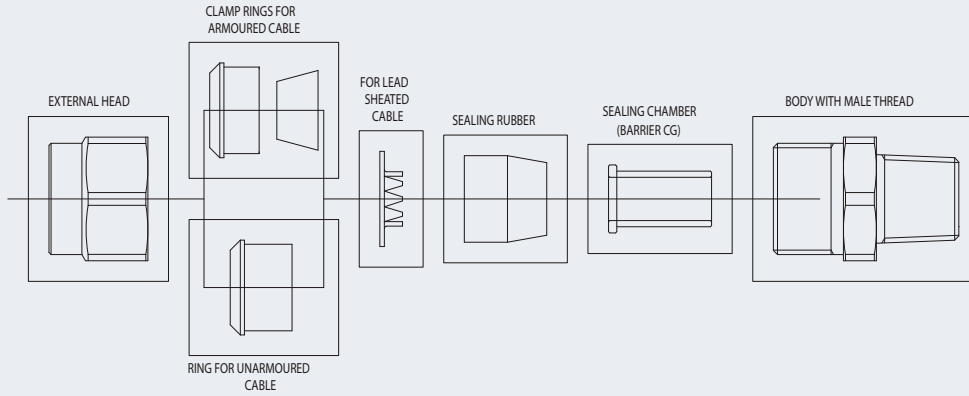
Material	Nickel chrome plated brass AISI 316 L Stainless steel (other materials upon request)
IP rating	IP66
Operating temperature range	-52°C to +110°C
Approvals	ATEX: 02ATEX0084 IECEX INE 14.0046X EAC: RU C-IT.BH02.B.00596/20
Marking*	II 2 GD Ex db/eb IIC Ex db/eb I Ex tb IIIC IP66 I M2 Ex db/eb I * For group I certification is up to size 6.
Internal seals	EPDM
Threads	Metric, NPT, UNI-6125 (other thread upon request)
Optional accessories	Locknut, sealing gasket, earthing ring, star washer, protective shroud
Note	1. Armouring rings are usually supplied made of nickel chrome plated brass. Other materials are available upon request. 2. Our standard cable gland are suitable for armour clamping up to 1,25 mm thickness. In case of higher armour thickness please revert to our Sales department.

Dimensions



	METRIC	NPT UNI-6125	SEAL	CABLE RANGE (mm)	Ø EXTERNAL CABLE (mm)	DIMENSIONS (mm)				
						F	A	B	C	D
SIZE 1	M20X1,5	1/2"	1A1	6 - 9	18	62	42	20	33	30
			1A2	9 - 12						
SIZE 2	M25X1,5	3/4"	2A1	6 - 9	24	62	42	25	40	36
			2A2	9 - 12						
			2A3	11 - 14						
			2A4	14 - 17						
SIZE 3	M32X1,5	1"	3A1	14 - 17	30	70	45	25	49	44
			3A2	17 - 20						
			3A3	20 - 23						
SIZE 5S	M40X1,5	1" 1/4	5A2	23 - 26	43	70	45	25	62	56
			5A3	26 - 29						
			5A4	29 - 32						
			5A5	32 - 36						
SIZE 5	M50X1,5	1" 1/2	5A2	23 - 26	43	70	45	25	62	56
			5A3	26 - 29						
			5A4	29 - 32						
			5A5	32 - 36						
SIZE 6	M63X1,5	2"	6A2	36 - 39	57	72	46	25	78	70
			6A3	39 - 42						
			6A4	42 - 46						
SIZE 7	M75X1,5	2" 1/2	7A2	44 - 48	69	78	46	32	92	83
			7A3	48 - 52						
			7A4	52 - 56						
			7A5	56 - 60						
SIZE 8	M80X1,5	3"	8A4	56 - 60	79	78	46	32	103	93
			8A5	59 - 63						
			8A6	63 - 67						
			8A7	67 - 71						

Assembly diagram



CODIFICATION TABLE

B14	#	#	#	#	#	#	#	N
								N - WITHOUT SEAL S - WITH SET SEALS 1 - SEALING RUBBER A1 2 - SEALING RUBBER A2 3 - SEALING RUBBER A3 4 - SEALING RUBBER A4 5 - SEALING RUBBER A5 6 - SEALING RUBBER A6 7 - SEALING RUBBER A7
							SEALS	1 - ATEX/IECEX - GROUP II 2 - ATEX/IECEX- GROUP I 5 - TR CU - GROUP II 6 - TR CU - GROUP I
							CERTIFICATE	1 - METRIC 2 - NPT 3 - UNI-6125
							THREAD	0 - STANDARD 1 - EXTENDED BODY (IN CASE OF ARMOUR THICKNESS HIGHER THAN 1,25MM)
							ARMOUR THK	1 - SIZE 1 2 - SIZE 2 3 - SIZE 3 4 - SIZE 5S 5 - SIZE 5 6 - SIZE 6 7 - SIZE 7 8 - SIZE 8
							SIZE	02 - PNA _ SINGLE SEAL, ARMoured CABLE 04 - PB AX _ SINGLE SEAL, ARMoured CABLE, BARRIER TYPE 12 - PBS _ SINGLE SEAL, UNARMoured CABLE, LEAD SHEATED CABLE 14 - PSB _ SINGLE SEAL, ARMoured CABLE, LEAD SHEATED CABLE 16 - PNS _ SINGLE SEAL, UNARMoured CABLE 17 - PMS _ SINGLE SEAL, UNARMoured CABLE, BARRIER TYPE
							TYPE	01 - BNK BRASS NICKEL CHROME PLATED 03 - STAINLESS STEEL AISI316
							MATERIAL	



METALLIC CABLE GLANDS

Double seal



A large range of double seal cable glands

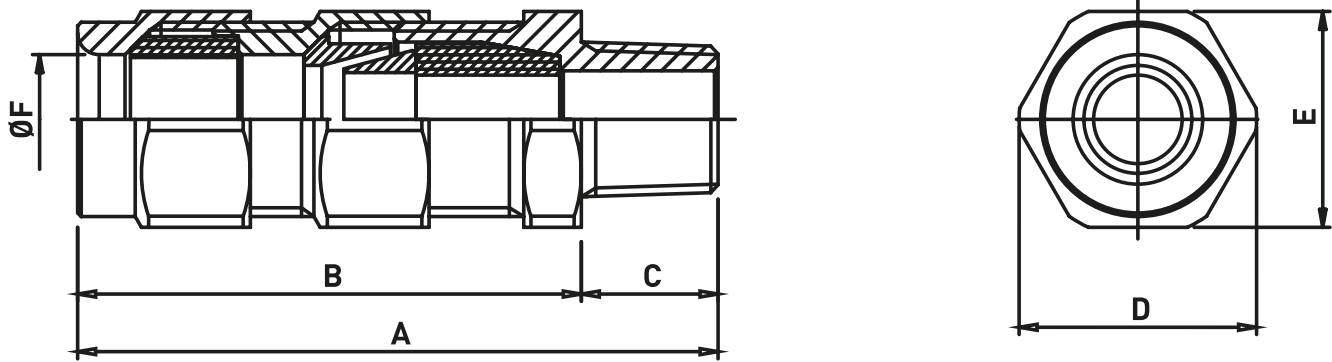
- Armoured & unarmoured cable
- Lead sheathed cable
- Barrier type

Suitable for Zone 1/2 and Zone 21/22.

TECHNICAL FEATURES

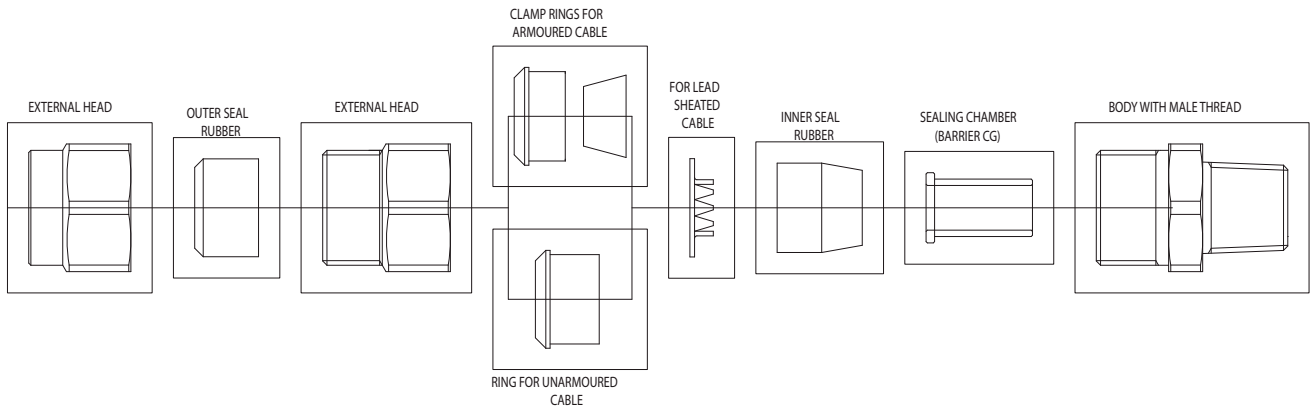
Material	Nickel chrome plated brass AISI 316 L Stainless steel (other materials upon request)
IP rating	IP66
Operating temperature range	-52°C to +110°C
Approvals	ATEX: 02ATEX0084 IECEX INE 14.0046X EAC: RU C-IT.BH02.B.00596/20
Marking*	II 2 GD Ex db/eb IIC Ex db/eb I Ex tb IIIC IP66 I M2 Ex db/eb I * For group I certification is up to size 6.
Internal seals	EPDM
Threads	Metric, NPT, UNI-6125 (other thread upon request)
Optional accessories	Locknut, sealing gasket, earthing ring, star washer, protective shroud
Note	1. Armouring rings are usually supplied made of nickel chrome plated brass. Other materials are available upon request. 2. Our standard cable gland are suitable for armour clamping up to 1,25mm thickness. In case of higher armour thickness please revert to our Sales department.

Dimensions

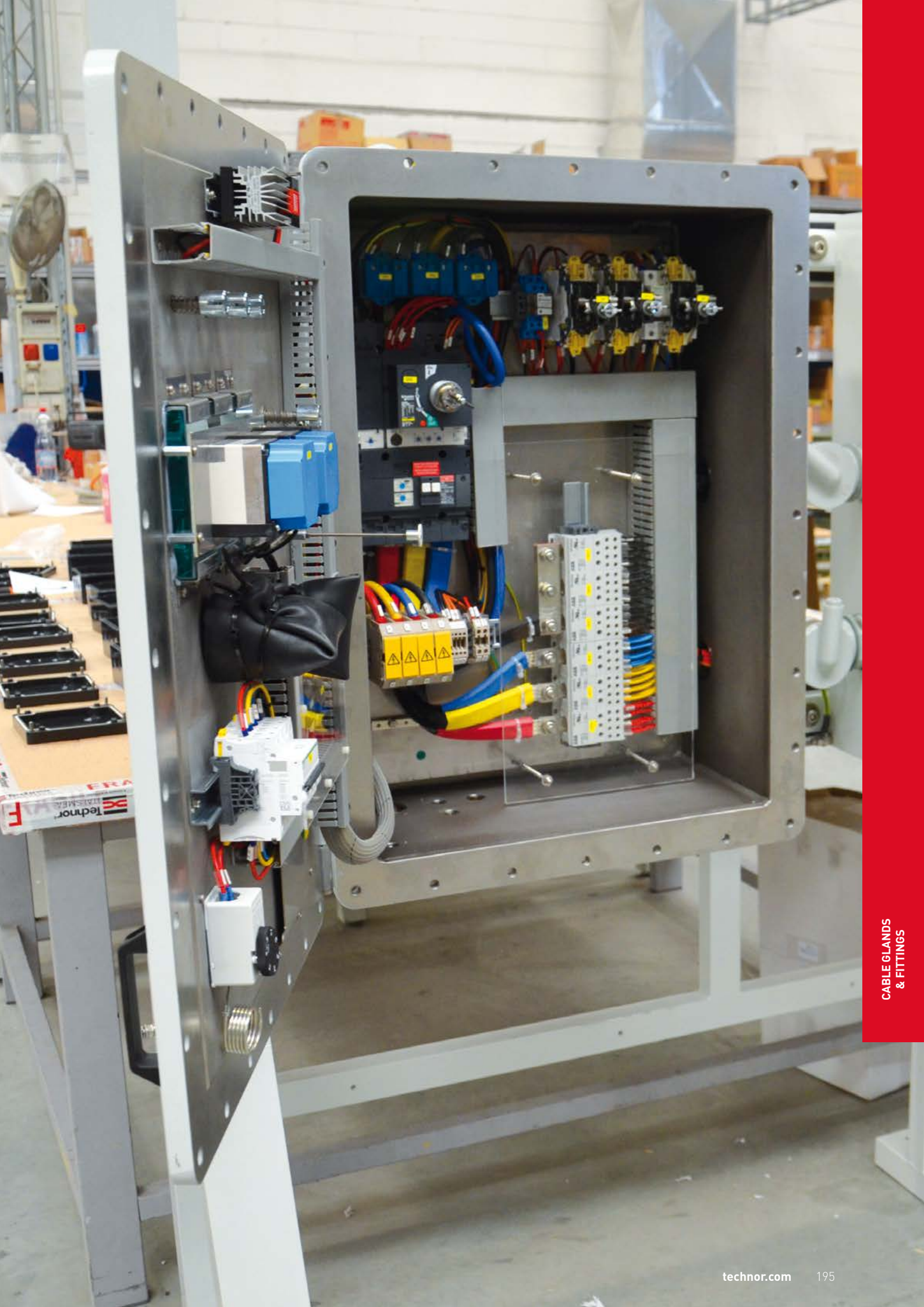


	METRIC	NPT UNI-6125	INNER SEAL	CABLE RANGE (mm)	OUTER SEAL	CABLE RANGE (mm)	Ø EXTERNAL CABLE (mm)	EXTDIMENSIONS (mm)				
								F	A	B	C	D
SIZE 1	M20X1,5	1/2"	1A1	6 - 9	1B1	8 - 11	18	85	65	20	33	30
			1A2	9 - 12	1B2	11 - 14						
					1B3	14 - 17						
SIZE 2	M25X1,5	3/4"	2A1	6 - 9	2B1	14 - 17	24	85	65	20	40	36
			2A2	9 - 12	2B2	17 - 20						
			2A3	11 - 14	2B3	20 - 23						
			2A4	14 - 17								
SIZE 3	M32X1,5	1"	3A1	14 - 17	3B1	20 - 23	30	93	68	25	49	44
			3A2	17 - 20	3B2	23 - 26						
			3A3	20 - 23	3B3	26 - 29						
SIZE 5S	M40X1,5	1" 1/4	5A2	23 - 26	5B2	29 - 32	43	93	68	25	62	56
			5A3	26 - 29	5B3	32 - 36						
			5A4	29 - 32	5B4	36 - 39						
			5A5	32 - 36	5B5	39 - 42						
SIZE 5	M50X1,5	1" 1/2	5A2	23 - 26	5B2	29 - 32	43	93	68	25	62	56
			5A3	26 - 29	5B3	32 - 36						
			5A4	29 - 32	5B4	36 - 39						
			5A5	32 - 36	5B5	39 - 42						
SIZE 6	M63X1,5	2"	6A2	36 - 39	6B2	44 - 48	57	95	71	25	78	70
			6A3	39 - 42	6B3	48 - 52						
			6A4	42 - 46	6B4	52 - 56						
SIZE 7	M75X1,5	2" 1/2	7A2	44 - 48	7B2	55 - 59	69	100	71	32	92	83
			7A3	48 - 52	7B3	59 - 63						
			7A4	52 - 56	7B4	63 - 67						
			7A5	56 - 60								
SIZE 8	M80X1,5	3"	8A4	56 - 60	8B4	63 - 67	79	100	71	32	103	93
			8A5	59 - 63	8B5	67 - 69						
			8A6	63 - 67	8B6	69 - 73						
			8A7	67 - 71	8B7	73 - 77						

Assembly diagram



B14	#	#	#	#	#	#	#	#	#	
										N - WITHOUT SEAL S - WITH SET SEALS 1 - OUTER SEAL RUBBER B1 2 - OUTER SEAL RUBBER B2 3 - OUTER SEAL RUBBER B3 4 - OUTER SEAL RUBBER B4 5 - OUTER SEAL RUBBER B5 6 - OUTER SEAL RUBBER B6 7 - OUTER SEAL RUBBER B7
										N - WITHOUT SEAL S - WITH SET SEALS 1 - INNER SEAL RUBBER A1 2 - INNER SEAL RUBBER A2 3 - INNER SEAL RUBBER A3 4 - INNER SEAL RUBBER A4 5 - INNER SEAL RUBBER A5 6 - INNER SEAL RUBBER A6 7 - INNER SEAL RUBBER A7
										1 - ATEX/IECEX - GROUP II 2 - ATEX/IECEX - GROUP I 5 - TR CU - GROUP II 6 - TR CU - GROUP I
										1 - METRIC 2 - NPT 3 - UNI-6125
										0 - STANDARD 1 - EXTENDED BODY (IN CASE OF ARMOUR THICKNESS HIGHER THAN 1,25mm)
										1 - SIZE 1 2 - SIZE 2 3 - SIZE 3 4 - SIZE 5S 5 - SIZE 5 6 - SIZE 6 7 - SIZE 7 8 - SIZE 8
										01 - PAP _ DOUBLE SEAL, ARMoured CABLE 03 - PAB AX _ DOUBLE SEAL, ARMoured CABLE, BARRIER TYPE 11 - PBD _ DOUBLE SEAL, UNARMoured CABLE, LEAD SHEET 13 - PDB _ DOUBLE SEAL, ARMoured CABLE, LEAD SHEET 15 - PND _ DOUBLE SEAL, UNARMoured CABLE 18 - PMD _ DOUBLE SEAL, UNARMoured CABLE, BARRIER TYPE
										01 - BNK BRASS NICKEL CHROME PLATED 03 - STAINLESS STEEL AISI316



METALLIC CABLE GLANDS

PSM (Male-Male)

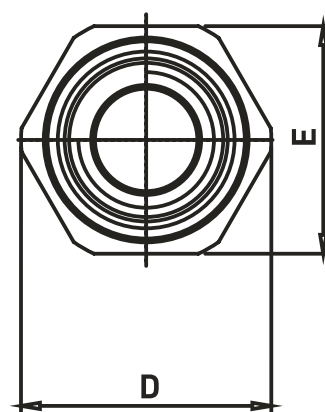
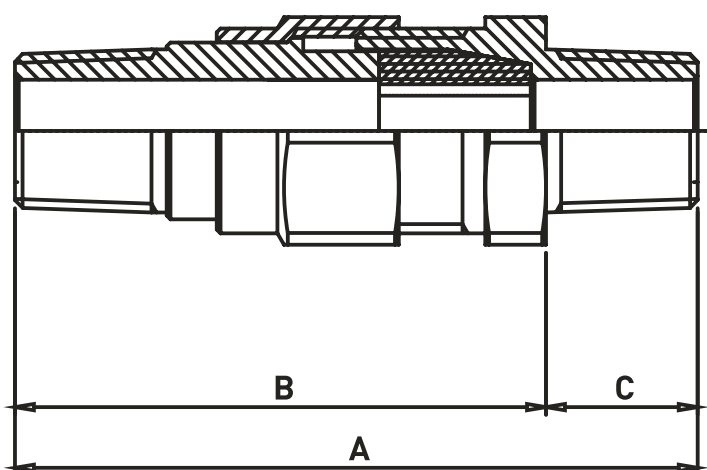


Single seal through "male-male" cable gland suitable for unarmoured cables.
Suitable for Zone 1/2 and Zone 21/22.

TECHNICAL FEATURES

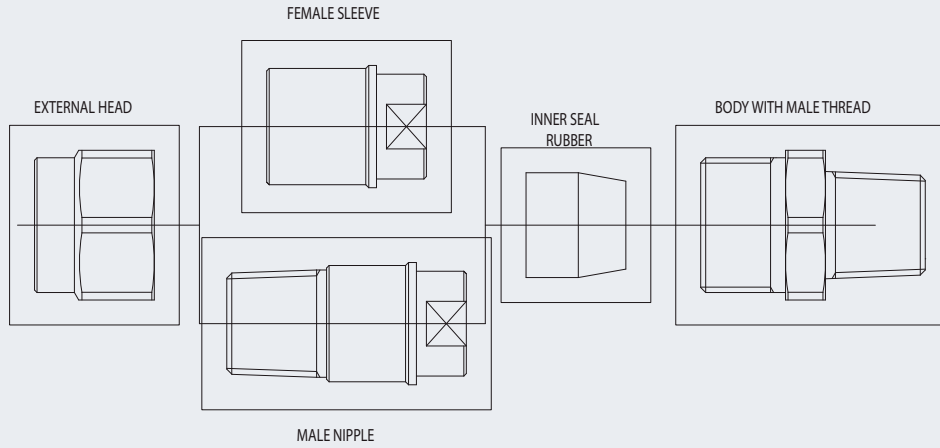
Material	Nickel chrome plated brass AISI 316 L Stainless steel (other materials upon request)
IP rating	IP66
Operating temperature range	-52°C to +110°C
Approvals	ATEX: 02ATEX0084 IECEX INE 14.0046X EAC: RU C-IT.BH02.B.00596/20
Marking*	II 2 GD Ex db/eb IIC Ex db/eb I Ex tb IIIC IP66 I M2 Ex db/eb I * For group I certification is up to size 6.
Internal seals	EPDM
Threads	Metric, NPT, UNI-6125 (other thread upon request)
Optional accessories	Locknut, sealing gasket, earthing ring, star washer, protective shroud
Note	The Free Nipple thread can be provided Metric, NPT or UNI-6125

Dimensions



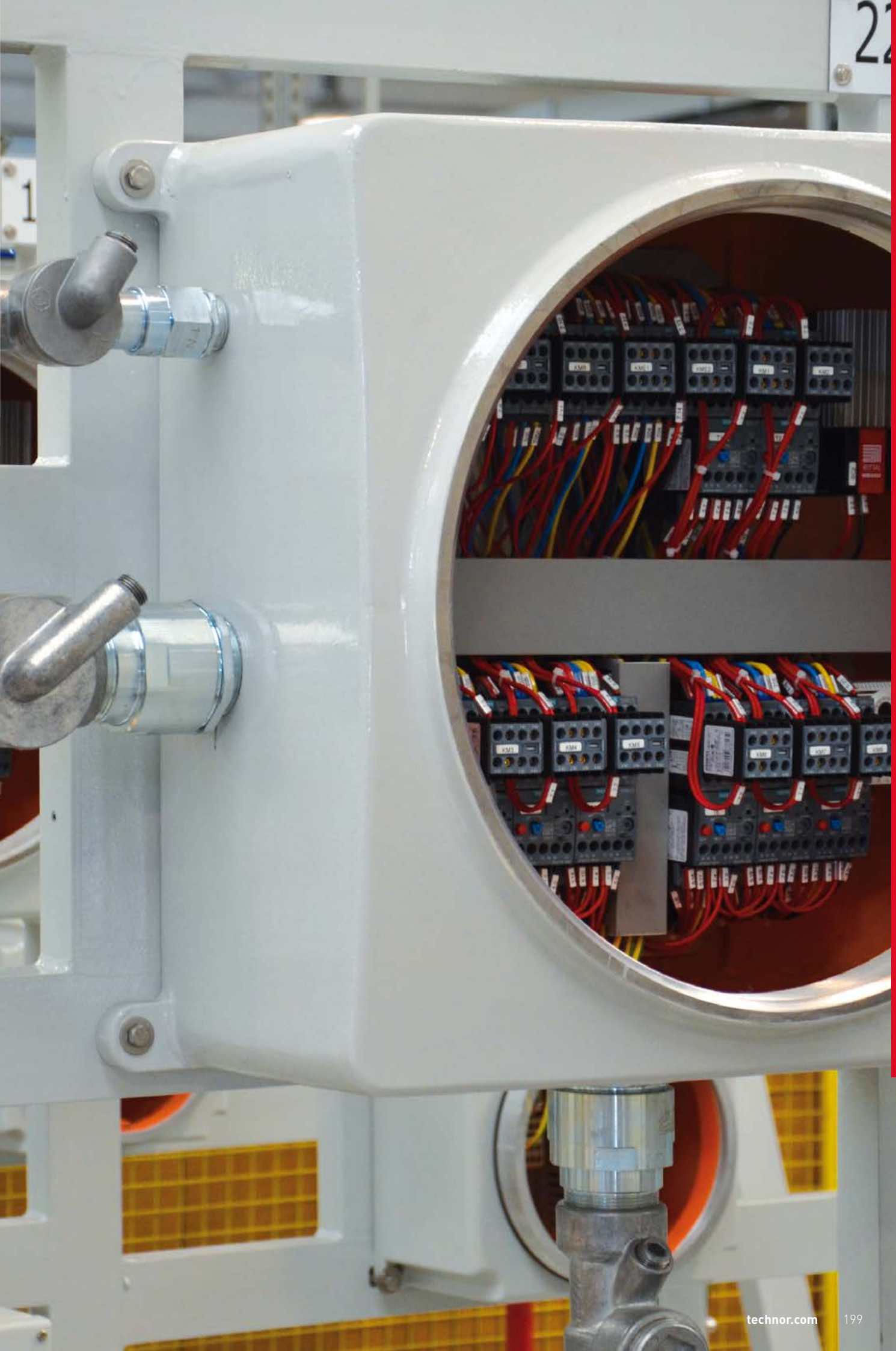
	METRIC	NPT UNI- 6125	SEAL	CABLE RANGE (mm)	Ø EXTERNAL CABLE (mm)	EXTDIMENSIONS (mm)				
						F	A	B	C	D
SIZE 1	M20X1,5	1/2"	1A1	6 - 9	18	90	70	20	33	30
			1A2	9 - 12						
SIZE 2	M25X1,5	3/4"	2A1	6 - 9	24	90	70	20	40	36
			2A2	9 - 12						
			2A3	11 - 14						
			2A4	14 - 17						
SIZE 3	M32X1,5	1"	3A1	14 - 17	30	104	79	25	49	44
			3A2	17 - 20						
			3A3	20 - 23						
SIZE 5S	M40X1,5	1" 1/4	5A2	23 - 26	43	104	79	25	65	58
			5A3	26 - 29						
			5A4	29 - 32						
			5A5	32 - 36						
SIZE 5	M50X1,5	1" 1/2	5A2	23 - 26	43	104	79	25	65	58
			5A3	26 - 29						
			5A4	29 - 32						
			5A5	32 - 36						
SIZE 6	M63X1,5	2"	6A2	36 - 39	57	109	84	25	65	58
			6A3	39 - 42						
			6A4	42 - 46						
SIZE 7	M75X1,5	2" 1/2	7A2	44 - 48	-	-	-	-	-	-
			7A3	48 - 52						
			7A4	52 - 56						
			7A5	56 - 60						
SIZE 8	M80X1,5	3"	8A4	56 - 60	-	-	-	-	-	-
			8A5	59 - 63						
			8A6	63 - 67						
			8A7	67 - 71						

Assembly diagram



CODIFICATION TABLE

B14	#	#	#	0	#	#	#	N
								SEALS
								N - WITHOUT SEAL S - WITH SET SEALS 1 - INNER RUBBER SEAL A1 2 - INNER RUBBER SEAL A2 3 - INNER RUBBER SEAL A3 4 - INNER RUBBER SEAL A4 5 - INNER RUBBER SEAL A5 6 - INNER RUBBER SEAL A6 7 - INNER RUBBER SEAL A7
								CERTIFICATE
								1 - ATEX/IECEX - GROUP II 2 - ATEX/IECEX- GROUP I 5 - TR CU - GROUP II 6 - TR CU - GROUP I
								THREAD
								1 - METRIC 2 - NPT 3 - UNI-6125
								SIZE
								1 - SIZE 1 2 - SIZE 2 3 - SIZE 3 4 - SIZE 4 5 - SIZE 5S 6 - SIZE 6 7 - SIZE 7 8 - SIZE 8
								TYPE
								08 - PSM FREE NIPPLE METRIC 09 - PSM FREE NIPPLE NPT 22 - PSM AX FREE NIPPLE METRIC _ BARRIER TYPE 23 - PSM AX FREE NIPPLE NPT _ BARRIER TYPE
								MATERIAL
								01 - BNK BRASS NICKEL CHROME PLATED 03 - STAINLESS STEEL AISI316



METALLIC CABLE GLANDS

PSF (Male-Female)

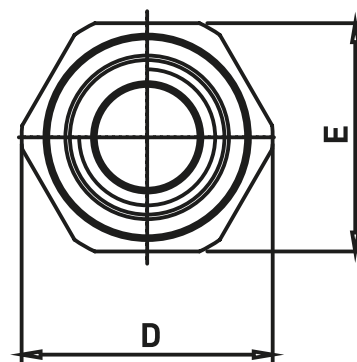
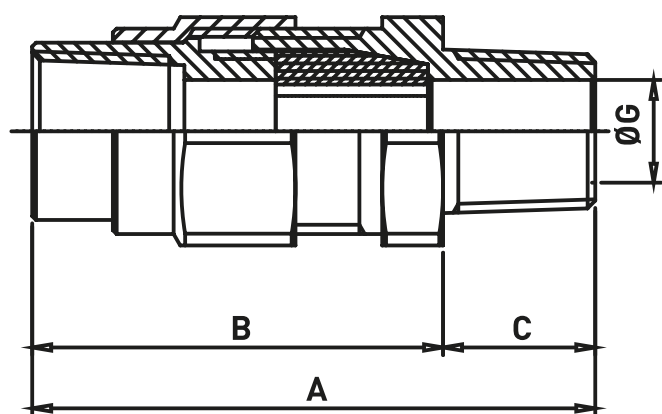


Single seal through "male-female" cable gland suitable for unarmoured cables.
Suitable for Zone 1/2 and Zone 21/22.

TECHNICAL FEATURES

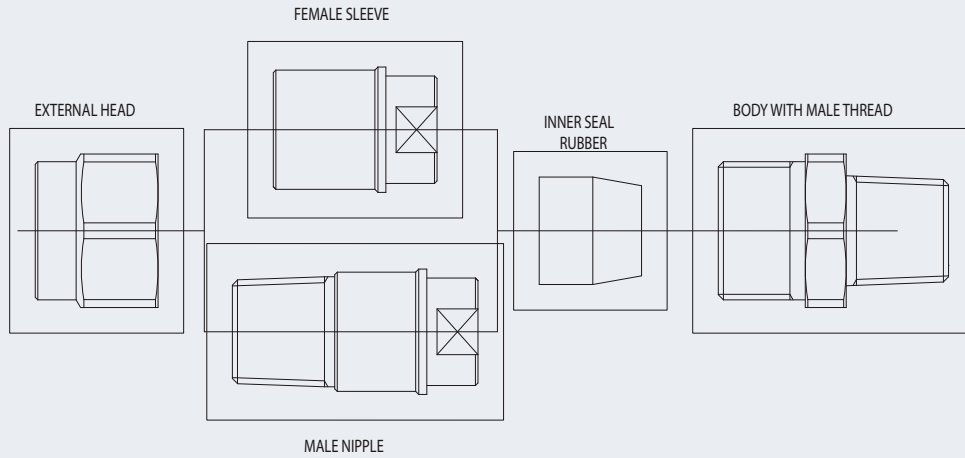
Material	Nickel chrome plated brass AISI 316 L Stainless steel (other materials upon request)
IP rating	IP66
Operating temperature range	-52°C to +110°C
Approvals	ATEX: 02ATEX0084 IECEX INE 14.0046X EAC: RU C-IT.BH02.B.00596/20
Marking*	II 2 GD Ex db/eb IIC Ex db/eb I Ex tb IIIC IP66 I M2 Ex db/eb I * For group I certification is up to size 6.
Internal seals	EPDM
Threads	Metric, NPT, UNI-6125 (other thread upon request)
Optional accessories	Locknut, sealing gasket, earthing ring, star washer, protective shroud
Note	The Free Coupling thread can be provided Metric, NPT or UNI-6125

Dimensions



	METRIC	NPT UNI-6125	SEAL	CABLE RANGE (mm)	Ø EXTERNAL CABLE (mm)	EXTDIMENSIONS (mm)				
						G	A	B	C	D
SIZE 1	M20X1,5	1/2"	1A1	6 - 9	18	73	53	20	33	30
			1A2	9 - 12						
SIZE 2	M25X1,5	3/4"	2A1	6 - 9	24	73	53	20	40	36
			2A2	9 - 12						
			2A3	11 - 14						
			2A4	14 - 17						
SIZE 3	M32X1,5	1"	3A1	14 - 17	30	88	63	25	49	44
			3A2	17 - 20						
			3A3	20 - 23						
SIZE 5S	M40X1,5	1" 1/4	5A2	23 - 26	43	89	64	25	65	58
			5A3	26 - 29						
			5A4	29 - 32						
			5A5	32 - 36						
SIZE 5	M50X1,5	1" 1/2	5A2	23 - 26	43	89	64	25	65	58
			5A3	26 - 29						
			5A4	29 - 32						
			5A5	32 - 36						
SIZE 6	M63X1,5	2"	6A2	36 - 39	57	92	67	25	65	58
			6A3	39 - 42						
			6A4	42 - 46						
SIZE 7	M75X1,5	2" 1/2	7A2	44 - 48	-	-	-	-	-	-
			7A3	48 - 52						
			7A4	52 - 56						
			7A5	56 - 60						
SIZE 8	M80X1,5	3"	8A4	56 - 60	-	-	-	-	-	-
			8A5	59 - 63						
			8A6	63 - 67						
			8A7	67 - 71						

Assembly diagram



CODIFICATION TABLE

B14	#	#	#	0	#	#	#	N
								SEALS
								N - WITHOUT SEAL S - WITH SET SEALS 1 - INNER RUBBER SEAL A1 2 - INNER RUBBER SEAL A2 3 - INNER RUBBER SEAL A3 4 - INNER RUBBER SEAL A4 5 - INNER RUBBER SEAL A5 6 - INNER RUBBER SEAL A6 7 - INNER RUBBER SEAL A7
								CERTIFICATE
								1 - ATEX/IECEX - GROUP II 2 - ATEX/IECEX- GROUP I 5 - TR CU - GROUP II 6 - TR CU - GROUP I
								THREAD
								1 - METRIC 2 - NPT 3 - UNI-6125
								SIZE
								1 - SIZE 1 2 - SIZE 2 3 - SIZE 3 4 - SIZE 5S 5 - SIZE 5 6 - SIZE 6 7 - SIZE 7 8 - SIZE 8
								TYPE
								05 - PSF FREE COUPLING METRIC 06 - PSF FREE COUPLING NPT 19 - PSF AX FREE COUPLING METRIC _ BARRIER TYPE 20 - PSF AX FREE COUPLING NPT _ BARRIER TYPE
								MATERIAL
								01 - BNK BRASS NICKEL CHROME PLATED 03 - STAINLESS STEEL AISI316